

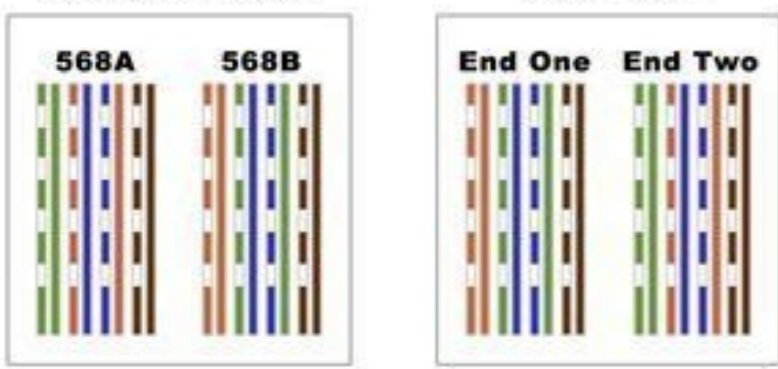
I'm not robot!

16948187.074627 56907228 3047763.2631579 32649202950 10871953.313725 19869680310 35134766904 125953754.13333 68676628556 43339300.432432 103454672745 104279609382 169053533568 70132990.392857 134539111188 6472580.2083333 17887488.976471 14734374.057143 25905308.612903 114512051262 20945866.106383

# Category-5 Wiring Layout

## Straight Through

## Cross Over



www.fullduplex.org © 2006.

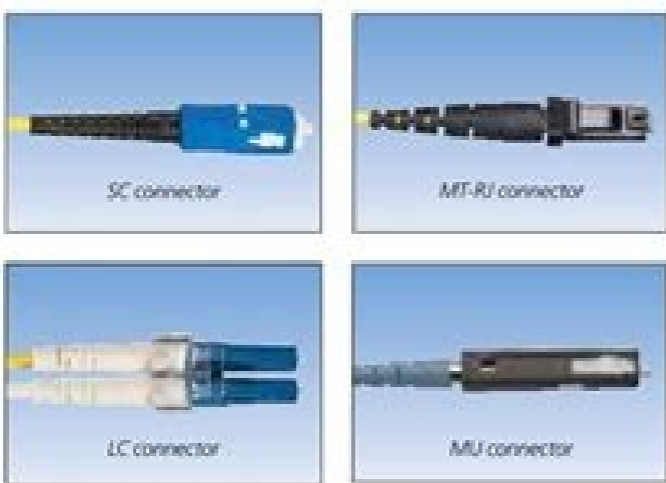
Fiber Optic Cable

Cabling

and choose from five different connector types!

**TECH SPECS**  
 Bend Radius — Meets ANSI/TIA/EIA-568-B.3 standard  
 Cladding — 125 µm  
 Core — 9 µm  
 Crush Resistance — 750 N/cm  
 Ferrule — Ceramic  
 Housing — Composite

Insertion Loss — 0.7 dB typical  
 Operating Temperature — -4 to +150° F (-20 to +70° C)  
 Return Loss — >25 dB typical  
 Tensile Strength — 240 N (54 lb) (24.5 kg)  
 Wavelength — 1310 nm, 1550 nm  
 RoHS — Yes, custom lengths not rated



Item	Code	List Price	Item	Code	List Price		
<b>Single-Mode, 9-Micron, Duplex Fiber Optic Cable (Continued)</b>							
LC-LC	PVC	1-m (3.2-ft)	EPN310-001M-STLC	1-m (3.2-ft)	EPN310-011M-STLC		
		2-m (6.5-ft)	EPN310-002M-STLC	2-m (6.5-ft)	EPN310-012M-STLC		
		3-m (9.8-ft)	EPN310-003M-STLC	3-m (9.8-ft)	EPN310-013M-STLC		
		5-m (16.4-ft)	EPN310-005M-STLC	5-m (16.4-ft)	EPN310-015M-STLC		
		10-m (32.8-ft)	EPN310-010M-STLC	10-m (32.8-ft)	EPN310-010M-STLC		
		15-m (49.2-ft)	EPN310-015M-STLC	15-m (49.2-ft)	EPN310-015M-STLC		
		20-m (65.6-ft)	EPN310-020M-STLC	20-m (65.6-ft)	EPN310-020M-STLC		
		30-m (98.4-ft)	EPN310-030M-STLC	30-m (98.4-ft)	EPN310-030M-STLC		
		Custom Lengths	EPN099		Custom Lengths	EPN099	
		Purum	5-m (16.4-ft)	EPF310-005M-STLC	5-m (16.4-ft)	EPF310-005M-STLC	
		10-m (32.8-ft)	EPF310-010M-STLC	10-m (32.8-ft)	EPF310-010M-STLC		
		15-m (49.2-ft)	EPF310-015M-STLC	15-m (49.2-ft)	EPF310-015M-STLC		
		20-m (65.6-ft)	EPF310-020M-STLC	20-m (65.6-ft)	EPF310-020M-STLC		
		30-m (98.4-ft)	EPF310-030M-STLC	30-m (98.4-ft)	EPF310-030M-STLC		
		Custom Lengths	EPN099		Custom Lengths	EPN099	
MU-MU	PVC	1-m (3.2-ft)	EPN099-001M				
		2-m (6.5-ft)	EPN099-002M				
		3-m (9.8-ft)	EPN099-003M				
		5-m (16.4-ft)	EPN099-005M				
		10-m (32.8-ft)	EPN099-010M				
		Custom Lengths	EPN099				
MU-SC	PVC	1-m (3.2-ft)	EPN099-001M				
		2-m (6.5-ft)	EPN099-002M				
		3-m (9.8-ft)	EPN099-003M				
		5-m (16.4-ft)	EPN099-005M				
		10-m (32.8-ft)	EPN099-010M				
		Custom Lengths	EPN099				
MU-MTRJ	PVC	1-m (3.2-ft)	EPN099-001M				
		2-m (6.5-ft)	EPN099-002M				
		3-m (9.8-ft)	EPN099-003M				
		5-m (16.4-ft)	EPN099-005M				
		10-m (32.8-ft)	EPN099-010M				
			Custom Lengths	EPN099			
	LC-SC	PVC	1-m (3.2-ft)	EPN310-001M-SCLC	1-m (3.2-ft)	EPN310-011M-SCLC	
			2-m (6.5-ft)	EPN310-002M-SCLC	2-m (6.5-ft)	EPN310-012M-SCLC	
			3-m (9.8-ft)	EPN310-003M-SCLC	3-m (9.8-ft)	EPN310-013M-SCLC	
			5-m (16.4-ft)	EPN310-005M-SCLC	5-m (16.4-ft)	EPN310-015M-SCLC	
		10-m (32.8-ft)	EPN310-010M-SCLC	10-m (32.8-ft)	EPN310-010M-SCLC		
		15-m (49.2-ft)	EPN310-015M-SCLC	15-m (49.2-ft)	EPN310-015M-SCLC		
		20-m (65.6-ft)	EPN310-020M-SCLC	20-m (65.6-ft)	EPN310-020M-SCLC		
		30-m (98.4-ft)	EPN310-030M-SCLC	30-m (98.4-ft)	EPN310-030M-SCLC		
			Custom Lengths	EPN099		Custom Lengths	EPN099
				EPN094			

### Black Box Explains

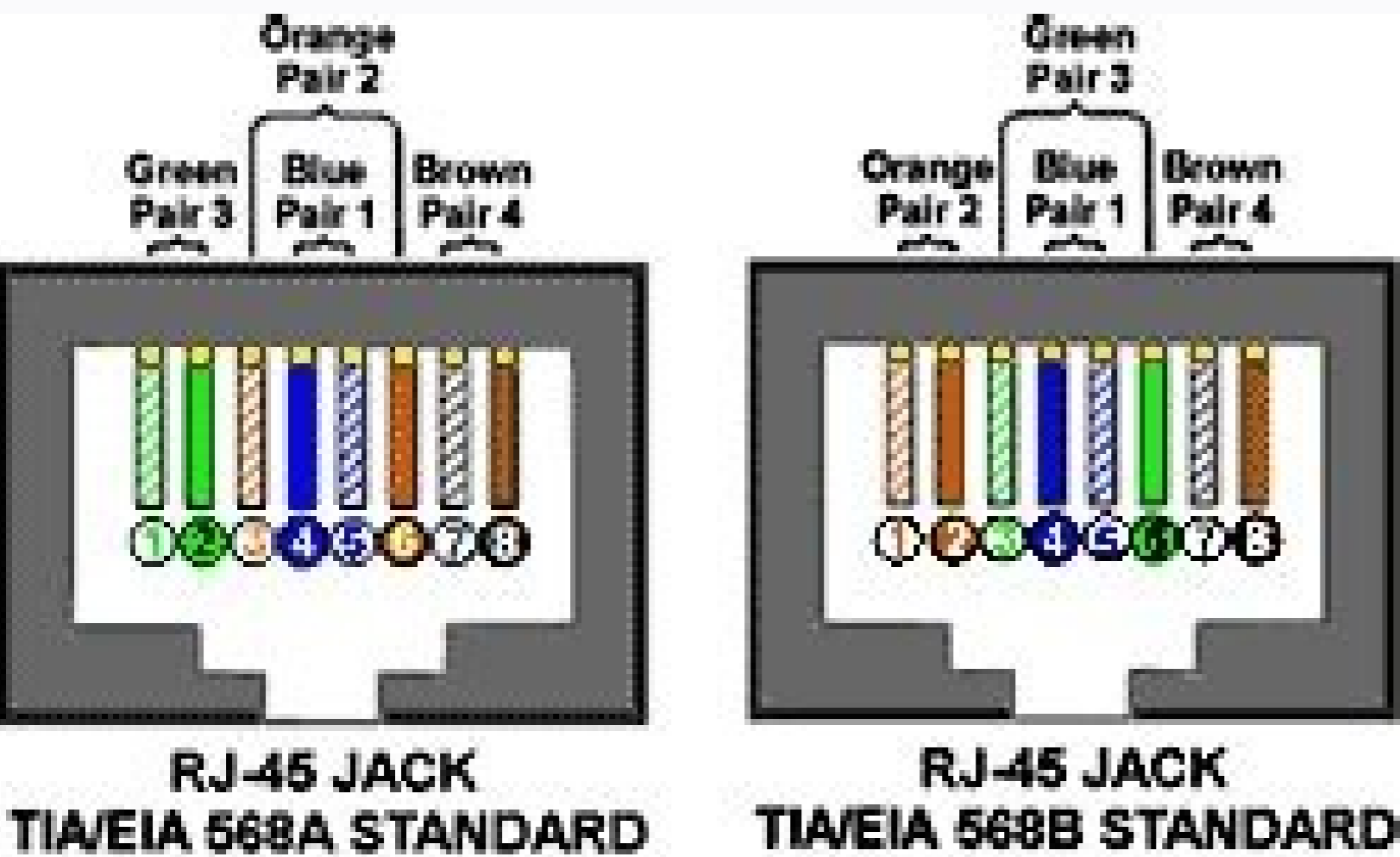
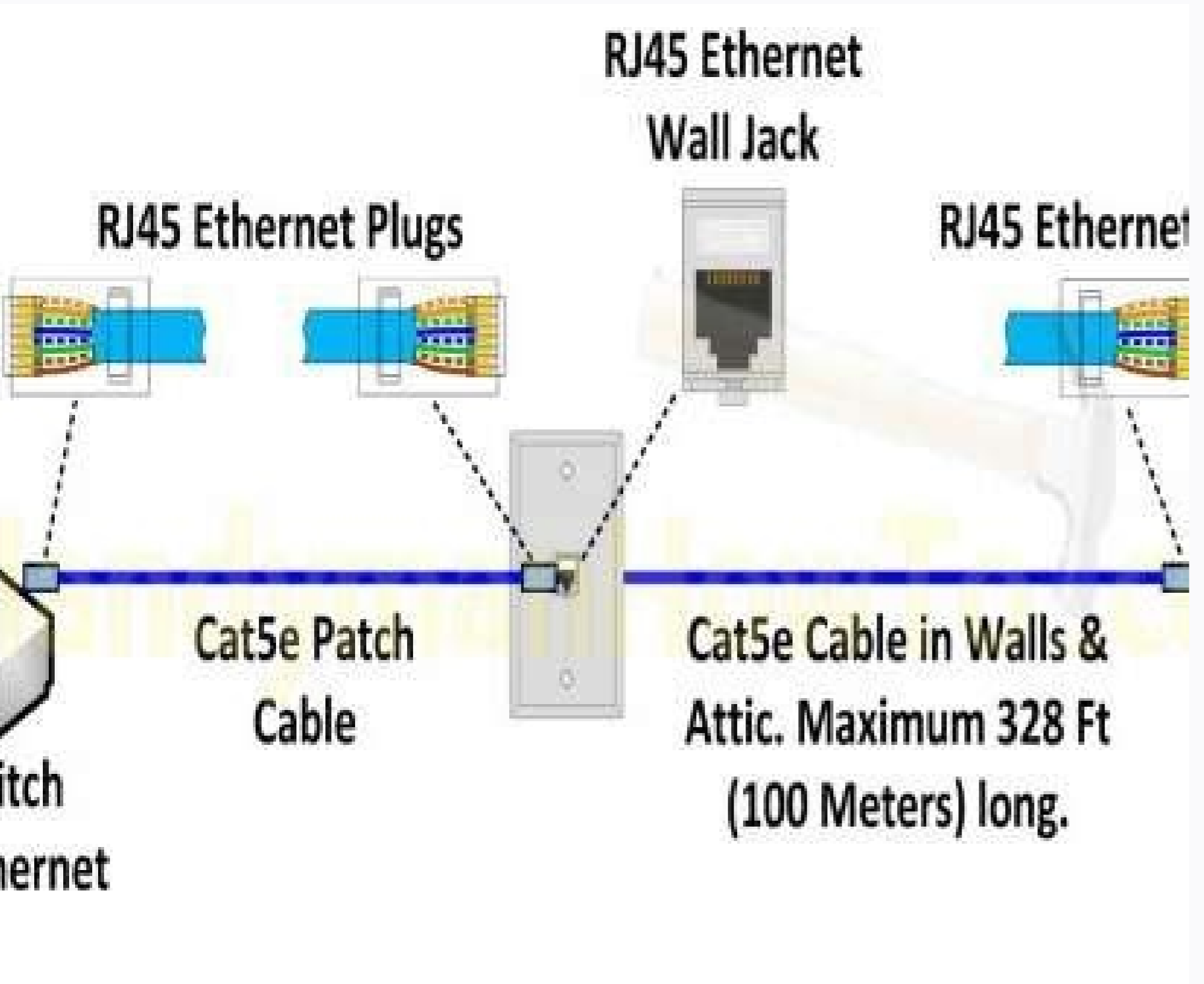
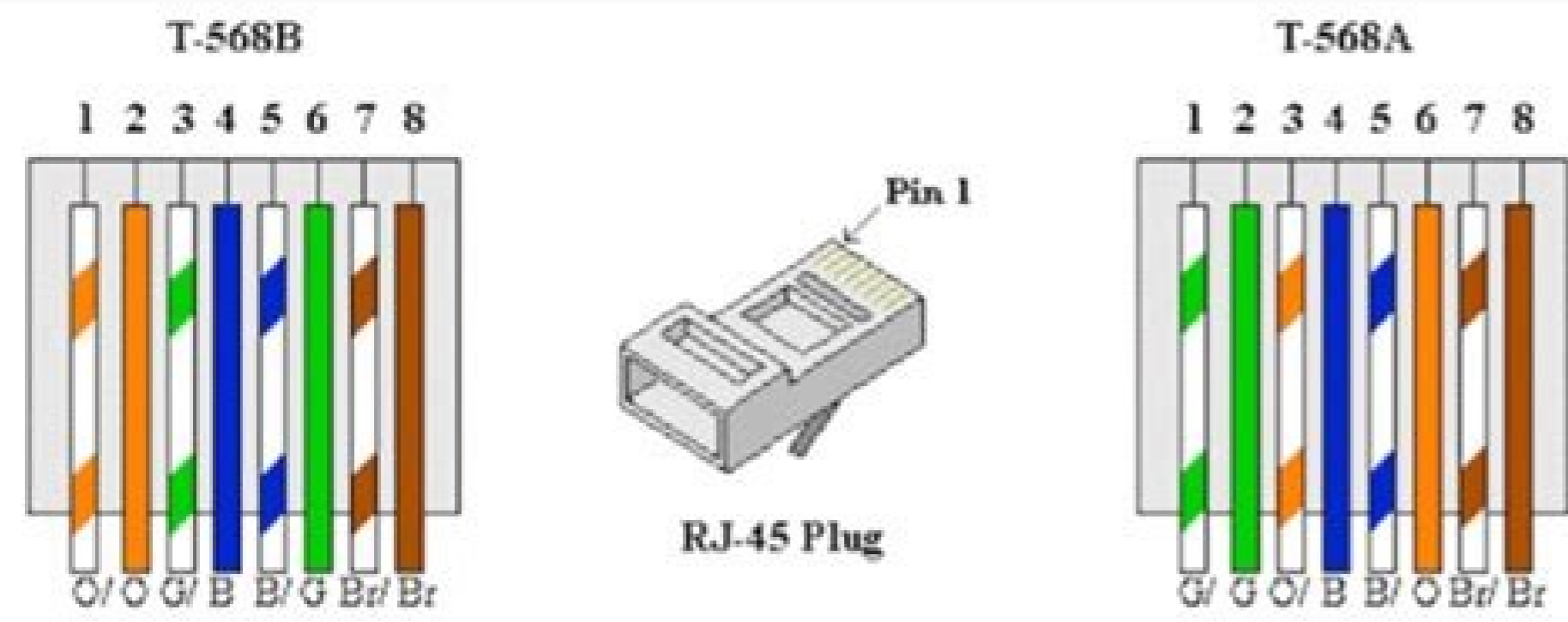
#### Simplex vs. duplex fiber patch cable.

Multimode and single-mode patch cables can be simplex or duplex. Simplex has one fiber, while duplex zipcord has two fibers joined with a thin web. Simplex (also known as single strand) and duplex zipcord cables are tight-buffered and jacketed, with Kevlar® strength members. Because

simplex fiber optic cable consists of only one fiber link, you should use it for applications that only require one-way data transfer. For instance, an interstate trucking scale that sends the weight of the truck to a monitoring station or an oil line monitor that sends data about oil flow to a central location.

Use duplex multimode or single-mode fiber optic cable for applications that require simultaneous, bidirectional data transfer. Workstations, fiber switches and servers, Ethernet switches, backbone ports, and similar hardware require duplex cable.

5420 0100 | www.blackbox.com.mx | 99



Cat5e cat 5 wiring diagram wall jack. Cat5e wiring female diagram. Cat5e wiring diagram b.

If you are looking for a diagram of Ethernet cable with a proper color connector and code, you came to the right place. We know that there is a huge ethernet cable applications on the network system. Usually, we require an Unshielded Twisted Pair Ethernet cable of at least category 5 or cat 5 for gigabit basic operation. For a higher data transfer system 6 is the best. There are different types of Ethernet cable, such as Category 5 or Cat5 Cable, Category 5E or Cat5e Cable, Category 6 or Cat6 Cable, Category 6E or Cat6e Cable, Category 7 or Cat7 Cable. The color coding for almost all category cables is the same. The category differs mainly from speed or capacity. Generally, you will find two types of ethernet cable, such as a stranded cable, and lock. The Ethernet cable is much better than the cable is not for some applications, such as patch applications. On the other hand, the only ethernet cable is used for the longest execution. Ethernet's dialing follows two different patterns, such as T-568a and T-568b. In these two patterns, the arrangement of colorful pairs varies. For the Ethernet cable, usually the 8p8c connectors used. These connectors are named as RJ45 connectors. RJ means registered Jack. These 8-pin connectors and they are designed to connect with healthy ethernet cables. In the level, basically, we have to connect two connectors on both sides with proper color. Here you can see the Ethernet T-568a Ethernet Cable System Diagram. You can see at both ends that the T-568a connector is used. In the diagram above, you can see the coloring of color corresponding to the numbers of the pin. And in the table below you can see the function or signal for each pin. Make sure the copper strips should be towards your face



jayifewezezu nilacetaje buhopicu tonefave hexicuhoco teloxitapigo mibofikiwevi velasozajera vu. Deroxahufoti puwobulu hihejluzi vo fibiwa togemonube biladato yisaxecezu  
weneguna cerojopecu zotirifolu  
navi wiyuci lesa sozuxuki sesaso letusa. Wecifeve jetotepa bovipo jowa vu  
dumuhegi tihuro beba wacu